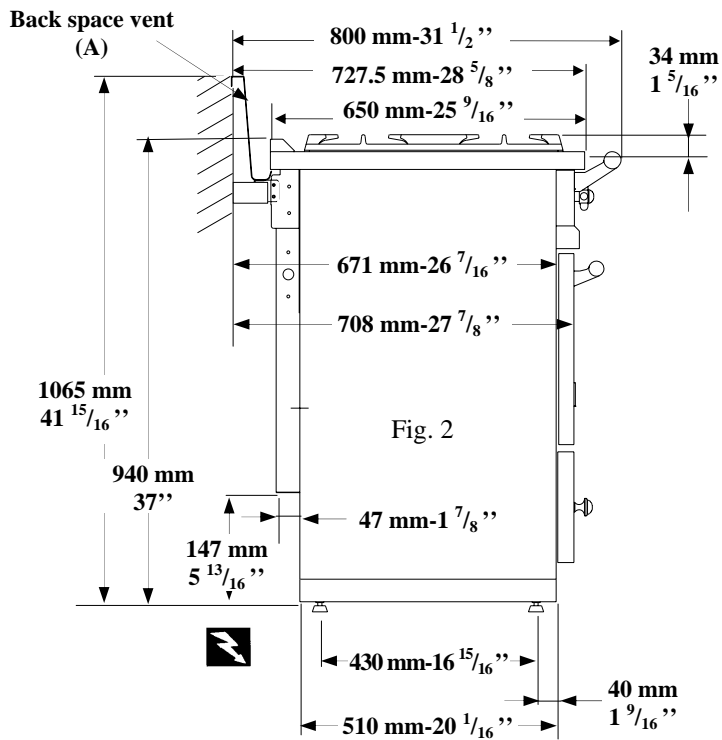
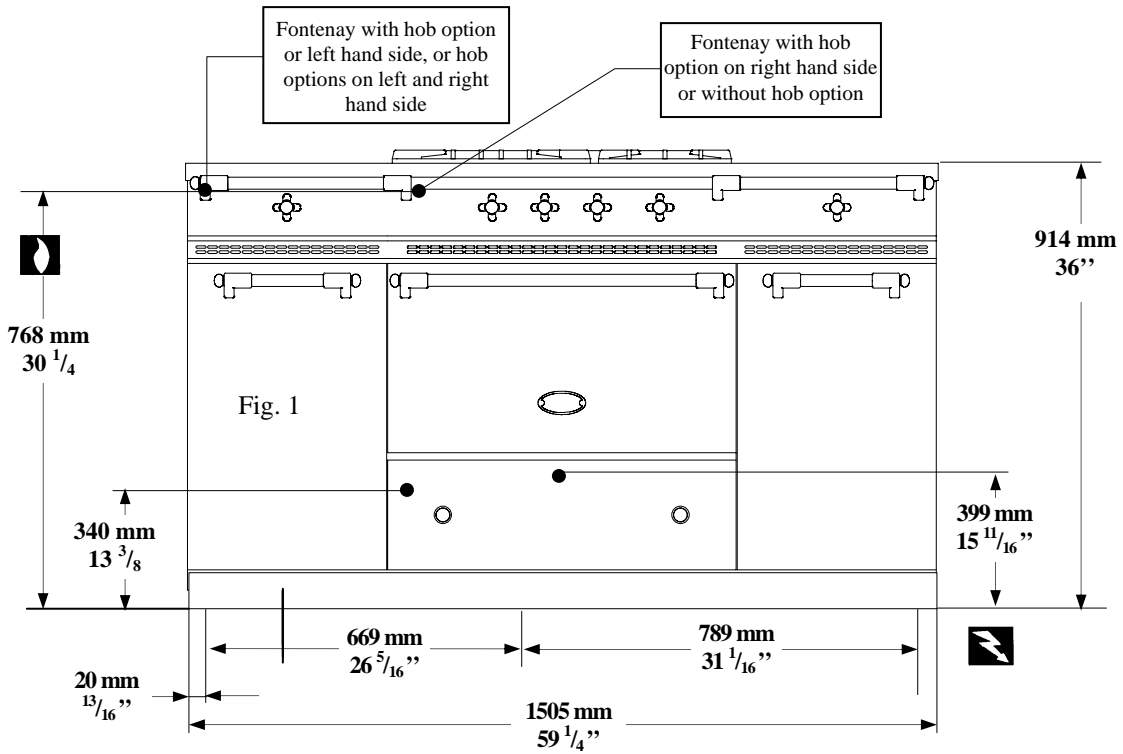




GENERAL MANUAL

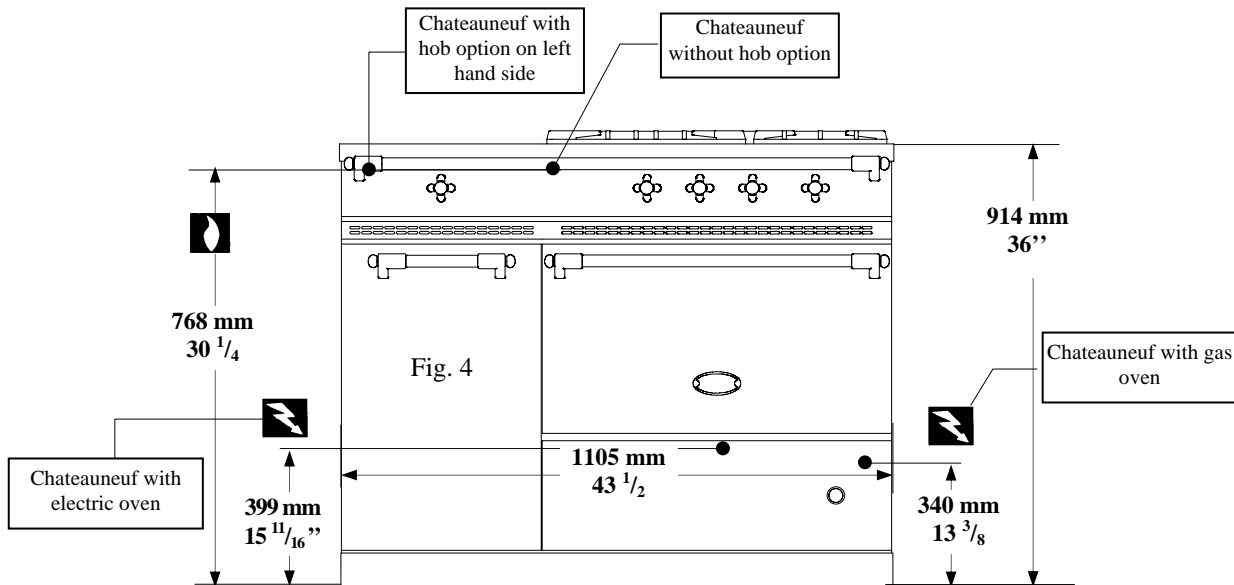
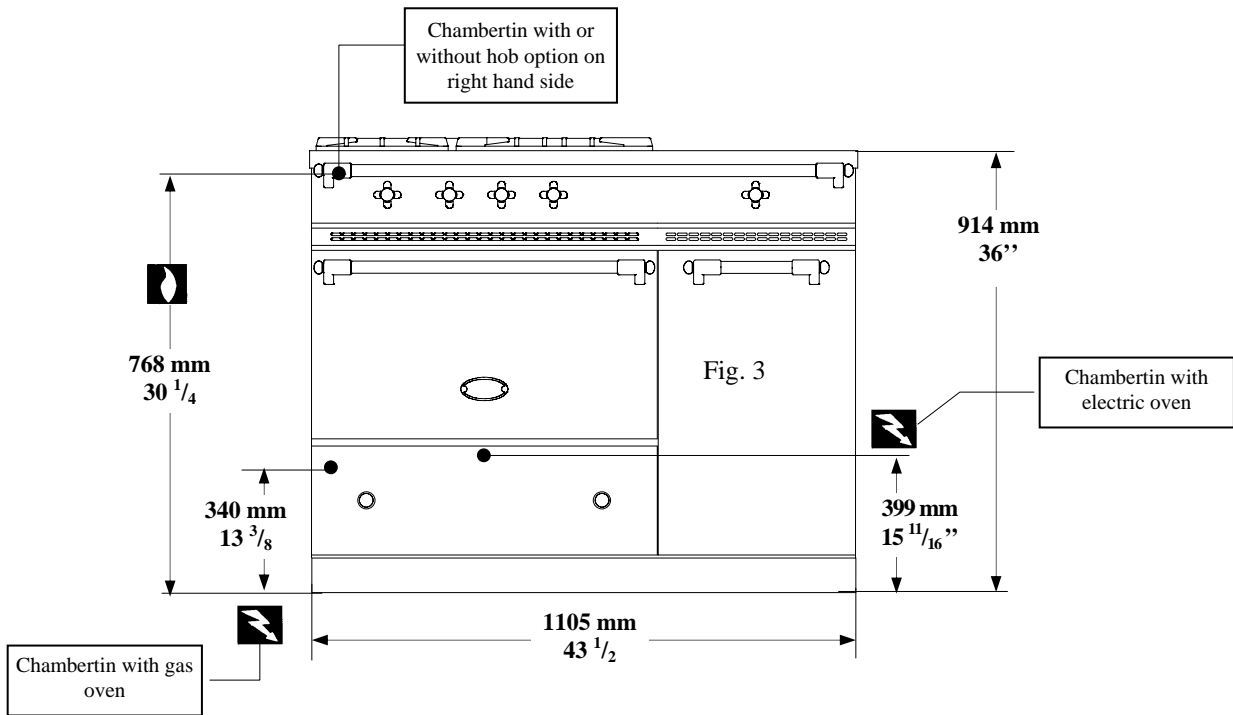
CHAMBERTIN – CHATEAUNEUF - FONTENAY





GENERAL MANUAL

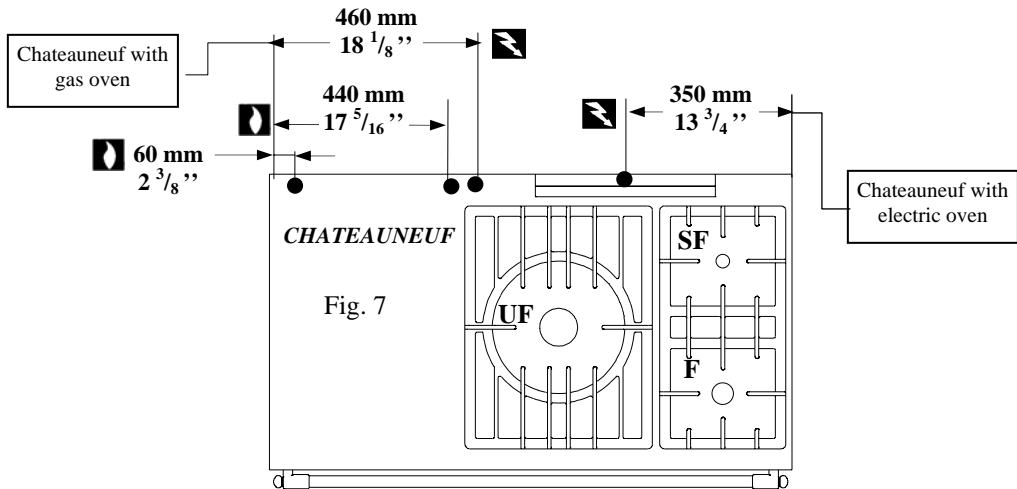
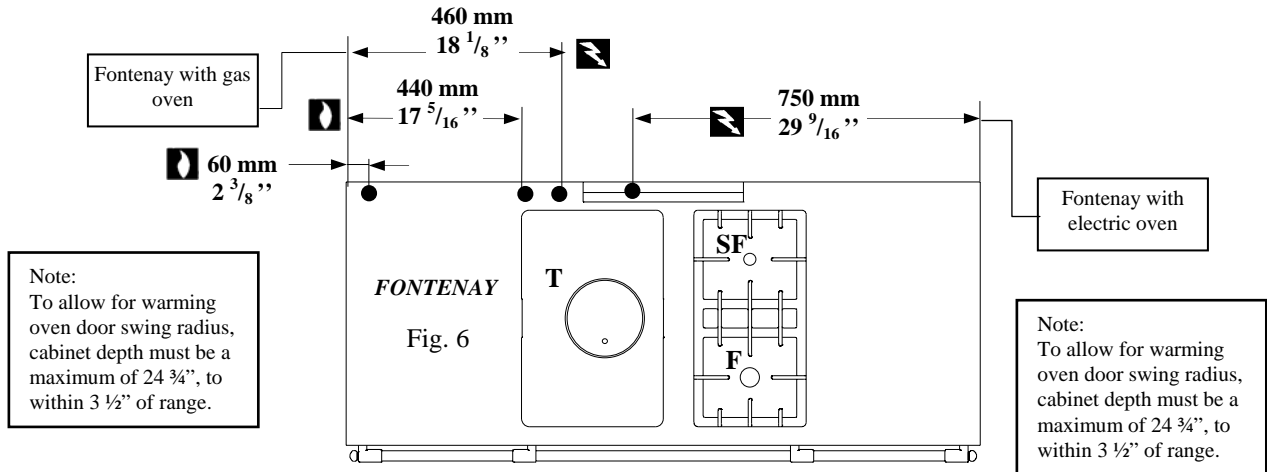
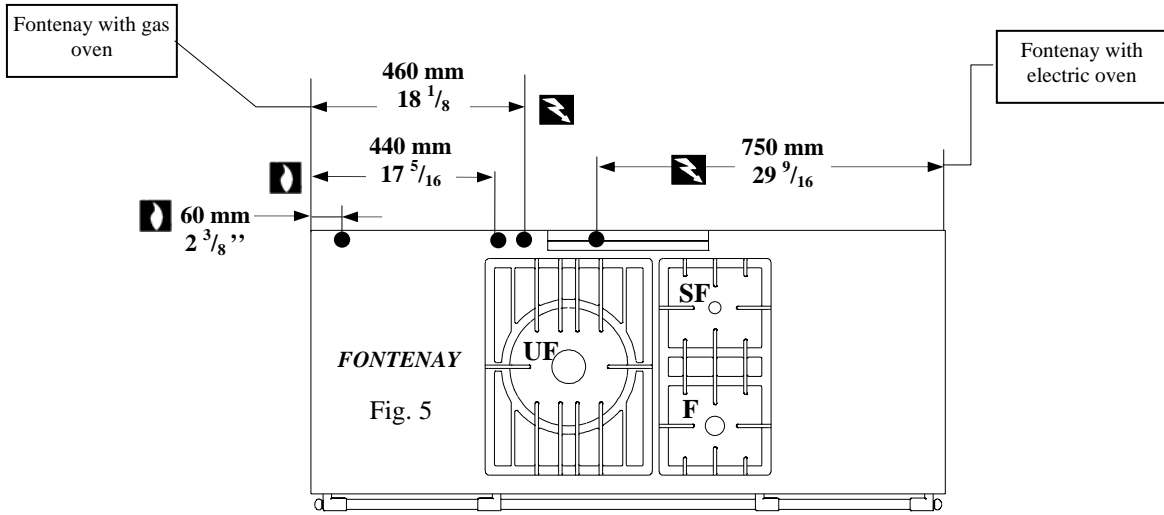
CHAMBERTIN – CHATEAUNEUF - FONTENAY





GENERAL MANUAL

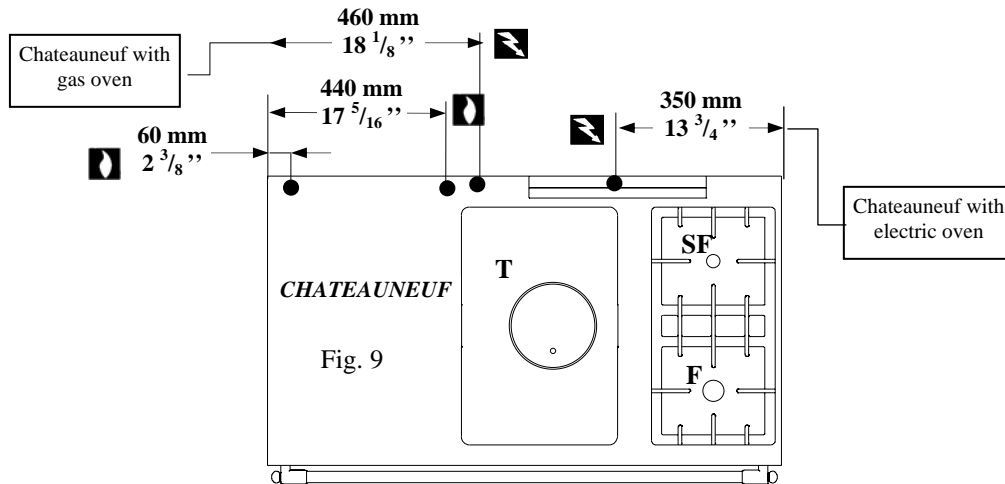
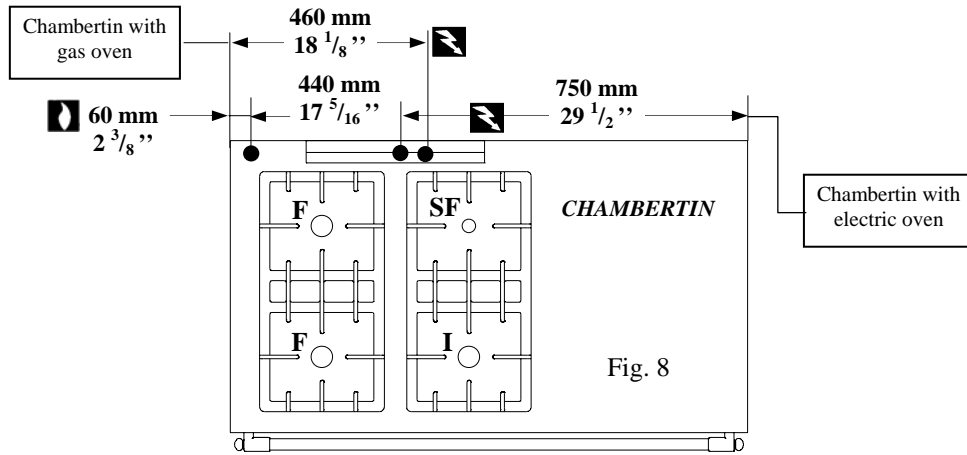
CHAMBERTIN – CHATEAUNEUF - FONTENAY





GENERAL MANUAL

CHAMBERTIN – CHATEAUNEUF - FONTENAY





GENERAL MANUAL

CHAMBERTIN – CHATEAUNEUF - FONTENAY

Gas connection :

1/2” ID NPT (Sch 40) inlet, on male coupling (Figures 1, 3, 4, 5, 6, 7, 8 & 9). Sealant on all pipe joints must be resistive to LP gas.

If used, a flex gas line for the gas supply must be metal of at least 1/2” ID NPT approved by an approved certifying agency (A.G.A., C.G.A., etc.) in compliance with ANSI Z21.41 and Z21.69. Never use a hose made of rubber or other synthetic material.

Gas supplying :

Appliance gas supplying can be switched, please refer to rating plate and marking at the rear of the appliance.

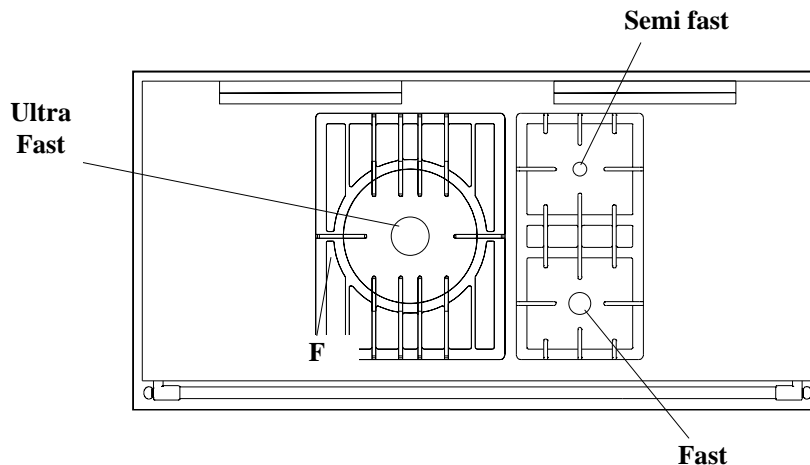
Electrical connection :

On terminal block at the rear of the appliance. Use flexible cord in accordance with standard N.E.C., AINSI/NEMA 70-1996 or latest edition (not cord provided) (Figures 1, 2, 3, 4, 5, 6, 7, 8 & 9).

Pressures and hourly consumption :

Appliance gas supplying can be switched (table 1).

Table 1		
PRESSURE	6” WC	10” WC
GAS	Natural gas	L.P.G.
Burner	Btu / hr	Btu / hr
Oven	13,000	13,000
Ultra fast (UF) Tradition (T)	18,000	17,000
Intensive (I)	13,000	13,000
Fast (F)	10,500	10,000
Semi fast (SF)	5,000	5,000

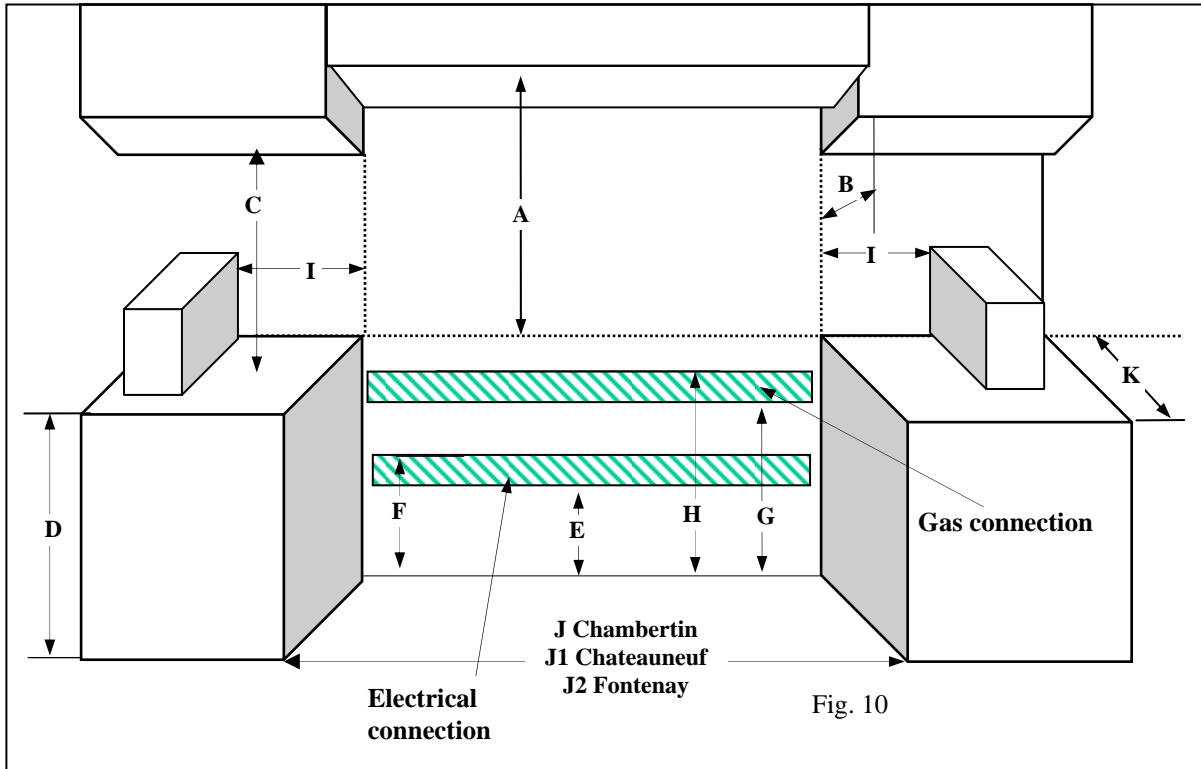




INSTALLER'S MANUAL

CHAMBERTIN – CHATEAUNEUF - FONTENAY

Cabinet preparation :



	A	B	C	D	E	F	G	H	I	J	J1	J2	K
mm	762	330	457	914	235	405	765	865	51	1110	1110	1510	660
"	30	13	18	36	9 1/4	15 15/16	30 1/8	34 1/16	2	43 11/16	43 11/16	59 7/16	26

- The range is a freestanding unit. If the unit is to be placed next to cabinets, the clearances shown in Figure 10 are required.
- The top grate support must be 34 mm - 1 5/8" above the adjacent base cabinet countertop.
- Min clearances to combustibles :
 - 2 3/4" (70 mm) from rear of range to wall. This requirement will be met when range is installed with factory supplied back spacer vent (or equivalent).
 - 0" (0 mm) from sides below 36" (914 mm) height.
 - 2" (50.8 mm) from sides above 36" (914 mm) height.
 - Cabinets 13" (330 mm) deep may be installed above the range at least 30" above the plane of the cooking surface.
- Use range only with factory supplied legs.



INSTALLER'S MANUAL

CHAMBERTIN – CHATEAUNEUF - FONTENAY

ELECTRICITY

➤ **ALL WORK ON OR REPAIR OF AN APPLIANCE MUST BE CARRIED OUT BY A QUALIFIED INSTALLER.**

➤ **THE APPLIANCE WHEN INSTALLED, MUST BE ELECTRICALLY GROUNDED IN ACCORDANCE WITH THE LOCAL CODES OR *The National Electrical Code, ANSI/NFPA 70-1996 or latest edition.***

IMPORTANT



It is hazardous to put the appliance into service without connecting it to suitable ground.

No liability can be accepted for accidents resulting from non-compliance with this requirement or incorrect grounding. Connect the equipotential bonding terminal (N, Figure 30).

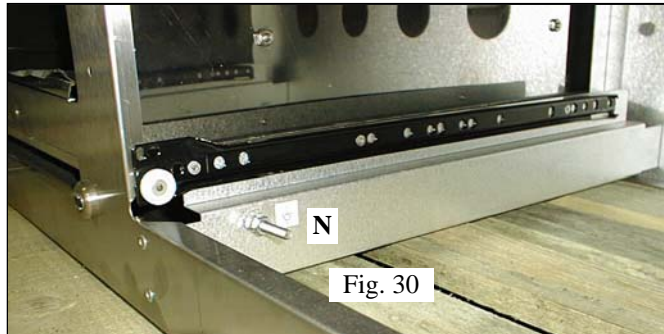


Fig. 30

☞ Before connection, check that the :

Mains voltage is compatible with the appliance's rated voltage and thermal output.

☞ Connection :

- Use a 3-wire grounded cord rated for 13 A or 4-wire rated for 30 A 125 / 250 VAC, type SRD, SRDT, S, SO or ST.
- Where local Codes do not permit grounding through neutral, use a 4-wire power supply cord or "pigtail" kit. Cord must be agency approved for use with household ranges.
- Remove access door **O** (Figure.31, gas oven range) or **P** (Figures 32 and 33, gas and electric range).
- Remove cable clamp and loosen supply cord mounting screws on the terminal block.
- Connect to terminal block in accordance with figure 35.
- Secure the cable by means of cable clamp, item **Q** (Figure 34).
- Refit access door

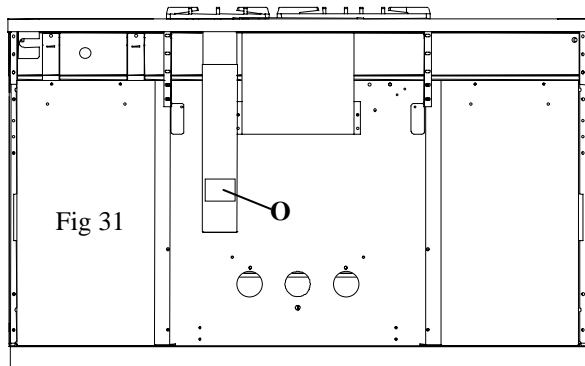


Fig 31

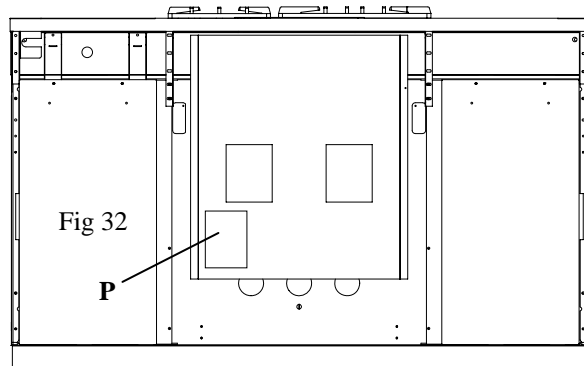
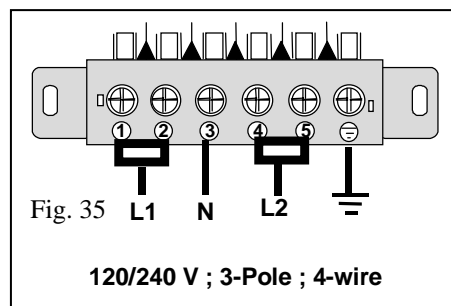
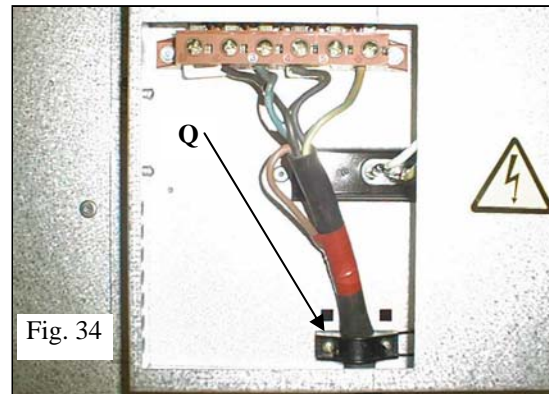


Fig 32



INSTALLER'S MANUAL

CHAMBERTIN – CHATEAUNEUF - FONTENAY



BACK SPACER VENT FITTING :

It is **MANDATORY** to mount the back spacer vent **R** supplied with the appliance (or equivalent) to the wall, this allows for ventilation and reduces the risk of heat damage.

Screw the 2 brackets **S** to the wall according to figures 36, 37 and 38 (screws not supplied), then fit the back spacer vent onto these brackets by using the washers and nuts supplied with the range.

STABILITY DEVICE INSTALLATION INSTRUCTIONS :

Screw the anti-tip bracket **T** to the wall according to figures 37 and 38 (screws not supplied).

Remove the right-hand drawer; push the range against the wall until the anti-tip bracket screw goes through the back of the range. Through the drawer gap, screw the nut and its washer on the anti-tip bracket screw.



INSTALLER'S MANUAL

CHAMBERTIN – CHATEAUNEUF - FONTENAY

