

Electrical Connection

☛ Connection :

- Use a 3-wire grounded cord rated for 13A (all gas range) or 4-wire rated for 30A (electric oven option) 125 / 250 VAC, type SRD, SRDT, S, SO or ST.
- Where local Codes do not permit grounding through neutral, use a 4-wire power supply cord or "pigtail" kit. Cord must be agency approved for use with household ranges.
- Remove access door **O** (Figure 25, all gas oven range) or **P** (Figure 26, gas and electric range).
- Feed cord through rubber grommet after cutting an X in the center of grommet, item **Q** (Figure 27).
- Connect to terminal block in accordance with figure 28.
- Make sure jumper bars are secured between terminals 1, 2 and 4, 5 (as shown in Figure 27 & 28).
- Refit access door

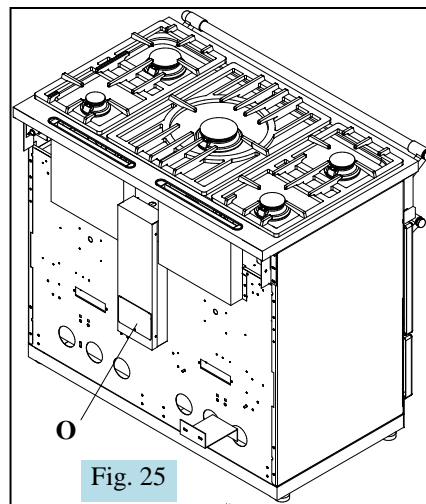


Fig. 25

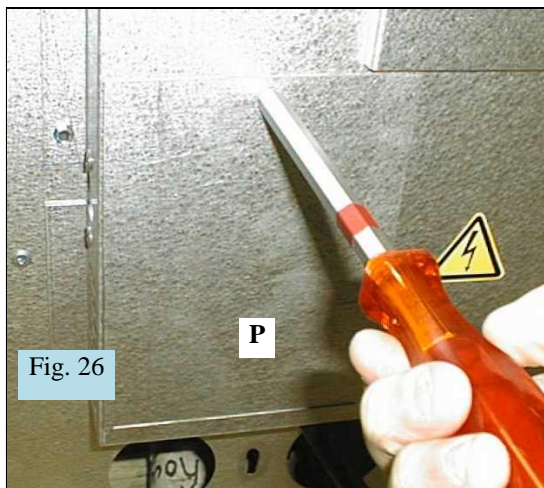


Fig. 26

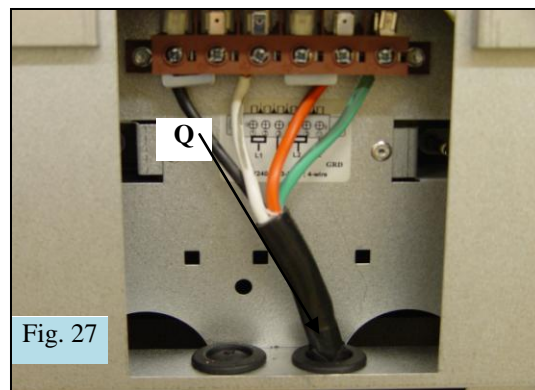
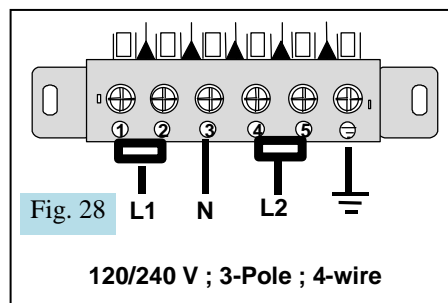


Fig. 27



To see a video of these instructions, please refer to:
<http://www.frenchranges.com/support/video/ElectricalConnection.html>